

# DEWAS TECHNO PRODUCTS PVT. LTD.

## MATERIAL HANDLING EQUIPMENTS



### INTRODUCTION

#### GROUP COMPANIES

Dewas Techno Products Pvt. Ltd., Dewas  
Dewas Metal Sections Ltd., Dewas  
Dee Tee Industries Pvt. Ltd., Indore  
Decostyle Technics Pvt. Ltd., Pithampur  
Dee Tee Industries Ltd.- P & P Division, Dewas

#### Dewas Techno Products Pvt. Ltd., Dewas

We introduce ourselves as one of the leading manufacturers of “STORAGE SYSTEMS, PALLETS, COMPACTORS (Mobile Shelving Systems), RACK SUPPORTED WAREHOUSE & MATERIAL HANDLING EQUIPMENTS”

#### BRIEF

Our products are widely used for different material handling application generated at all levels in different industries and sectors be it Automobile, Pharmaceutical, Engineering, Hospitality & Catering, Logistics, Supermarkets, Electronics, Retails, Food and Beverages, Agriculture & Seafood etc.



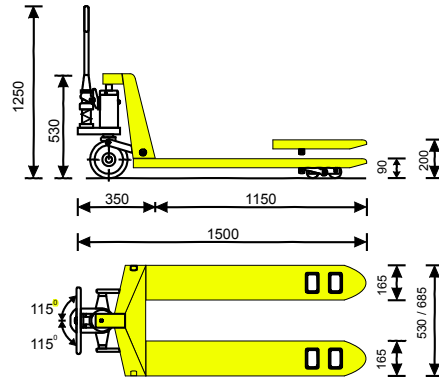
[www.giraffestorage.com](http://www.giraffestorage.com)

## HYDRAULIC PALLET TRUCK

Capacity : 2500 kg.



### TECHNICAL SPECIFICATIONS



Steering wheels - Dia 200 x 50 mm - 2 Nos.

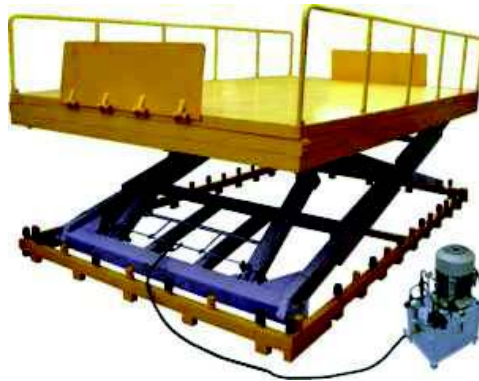
Forks wheels - Dia 82 x 70 mm - 4 Nos. (Tandem Rollers)

Truck weight - 90 kg.

Load Capacity - 2500 kgs. (Uniformly distributed on forks over 1 x 1 mtr. Pallet)

**Customized Pallet Trucks can also be made**

## SCISSOR LIFT



Single Scissor Lift

Platform - 3 mtr. x 2 mtr.

Capacity - 2000 Kg.

Lift - 1.5 mtr.

**Customized ScissorLifts can also be made**



[www.giraffestorage.com](http://www.giraffestorage.com)

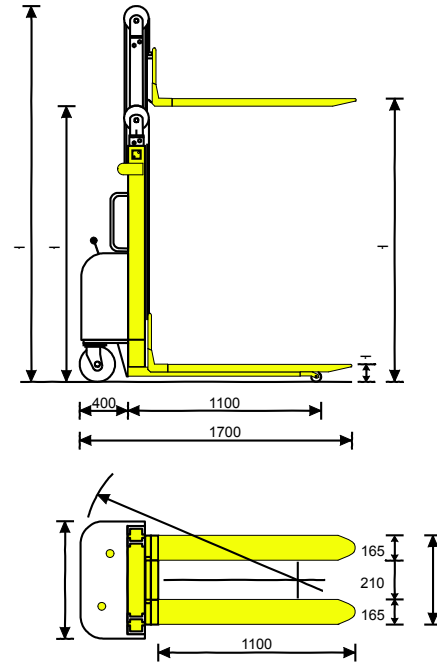
**RIGHT SOLUTION TO YOUR MATERIAL HANDLING PROBLEMS**

## STACKER - 24V BATTERY, DC SUPPLY

Capacity : 500 & 1000 kg. Lift : 1500, 2500 & 3000 mm



### TECHNICAL SPECIFICATIONS



- Load Center - 600 mm
- Lifting Speed - 0.08 m/sec.
- Fork Length - 1100 mm
- Width over forks - 540 mm
- Overall size - L 1700 x W 700 mm
- Front wheels - Dia 82 x 96 mm - 2 Nos.
- Steering wheels - Dia 200 x 50 mm - 2 Nos.

- Up & Down movement with 24 V Battery & manual pulling & pushing.
- 3 HP, 24 V DC electric motor for lifting with Dowty make oil gear pump.
- BCH make adjustable height limit switch.
- Operated by 24 V heavy duty contactor.
- Lever operated directional control valve with inbuilt pressure relief valve for up & down movement.
- Oil tank with oil level indicator, oil breather, suction strainer etc.
- Battery - 24 V, 85 Amp - Hr, Tubular monoblock.
- Aseparate 24 V DC, 230 V AC battery charger is needed to charge a battery.



MODEL	STO515 SE DC	STO525 SE DC	STO530 SE DC	ST1015 SE DC	ST1025 SE DC	ST1030 SE DC
Lifting capacity (kg)	500	500	500	1000	1000	1000
Max. fork height H1 (mm)	1500	2500	3000	1500	2500	3000
Min. fork height H2 (mm)	100	100	100	100	100	100
Min. Overall Height H3 (mm)	1600	2100	2400	1600	2100	2400
Max. Overall Height H4 (mm)	2300	3300	3900	2300	3300	3900

Customized Stackers can also be made

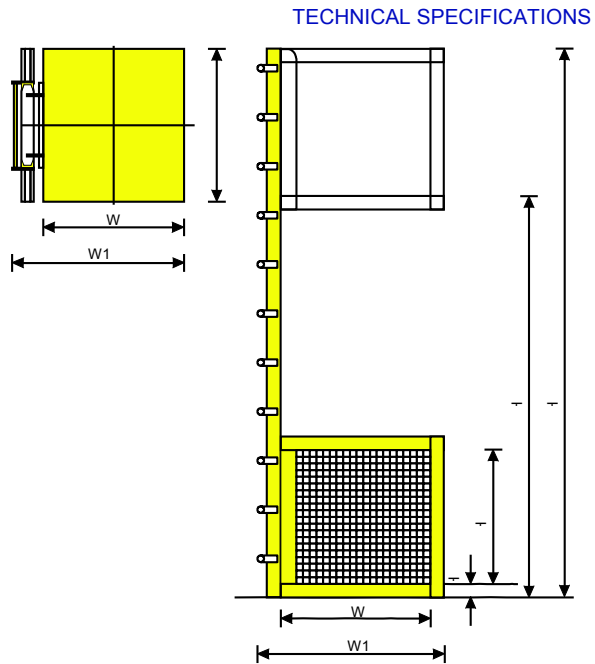


www.giraffestorage.com

SCIENTIFICALLY DESIGNED WITH INBUILT HIGH QUALITY & SAFETY

## HYDRAULIC GOODS LIFT (TWO CHANNEL GUIDE)

CAPACITY : 500 & 1000 Kg. LIFT : UPTO 6 Mtr.



- Used for material shifting from shop floor to up stairs.
- These are self standing lifts & no civil work like duct is needed.
- Up & down movement with fully automatic Electro Hydraulic Power Pack.
- Adjustable overload protection valve gives safety against overloading.
- Power pack is on ground for easy maintenance work.
- Up & down movement are controlled by height limit switches in addition to mechanical stoppers.
- Occupies small space on shop floor.
- Two lifting chains & 2 stand by ropes are provided as standard features.



MODEL	GL -2 0540	GL - 2 0560
Load Carrying Capacity (kg)	500	1000
Max. Platform Height H1 (mm)	4000	4000
Min. Platform Height H2 (mm)	125	125
Platform Length L (mm)	1200	1200
Platform Width W (mm)	1200	1200
Overall Width W1 (mm)	1700	1700
Overall Height H3 (mm)	6000	6000
Cage Height H4 (mm)	1500	1500

Customized Hydraulic Goods Lift can also be made



[www.giraffestorage.com](http://www.giraffestorage.com)

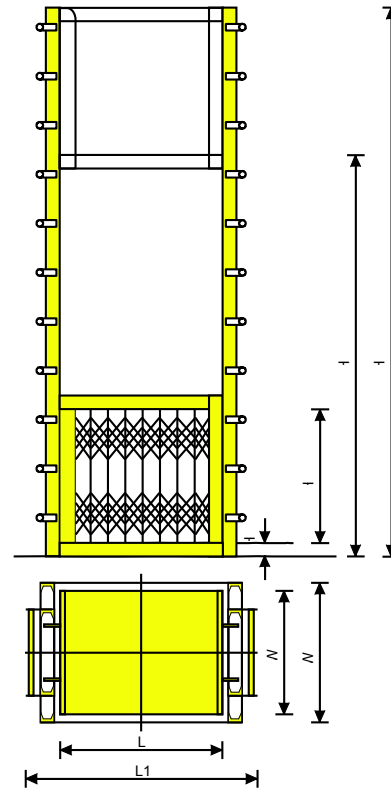
AN INNOVATIVE IDEA FOR MATERIAL LIFTING

## HYDRAULIC GOODS LIFTS (FOUR CHANNEL GUIDE)

CAPACITY : 500 to 3000 Kg. LIFT : UPTO 06 Mtr.



### TECHNICAL SPECIFICATIONS



- Used to shift shop floor goods to up stairs.
- Up & Down movement with fully automatic electric power pack.
- Fully interlocked with height limit switches, door limit switches & hooter.
- Adjustable overload protection valve gives safety against overloading.
- These lifts are self standing lifts & no civil work like duct or heavy top slab is needed.
- Power pack is on ground for easy maintenance work.



MODEL	GL - 4 1040	
Load Carrying Capacity (kg)	1000	2000
Max. Platform Height H1 (mm)	4000	4000
Min. Platform Height H2 (mm)	125	125
Platform Length L (mm)	2100	2100
Platform Width W (mm)	1500	1500
Overall Length L1 (mm)	2900	2900
Overall Width W1 (mm)	2100	2100
Overall Height H3 (mm)	6500	6500
Cage Height H4 (mm)	1500	1500

Customized Hydraulic Goods Lift can also be made



www.giraffestorage.com

STORE VERTICALLY AND SAVE EXPENSIVE SHOP FLOOR SPACE

## ORDER PICKER

Capacity : 300 kg. Including Operator, Lift : 2500, 3000, 4000 mm



AVAILABLE IN BATTERY OPERATED  
24 V DC SUPPLY AS WELL AS IN

**Customized Order Picker can also be made**

Reduces strain & fatigue, increases safety & productivity in continuous picking application such as stores etc.

Up & down control push buttons are in cage for adjustment of cage to any desired heights.

Extra side stabilizers are provided for additional safety.

Cage size is 1000 x 1000 mm with 750 mm side railing & 1200 mm back net for safety.



ISO 9001;2008 Certified Co.  
**DewasTechno Products Pvt. Ltd.**  
10B & C – Industrial Area No.1  
A.B. Road, Dewas – 455001 (M.P.) INDIA  
Phone : 07272-259044, 259294  
E-mail: [info@giraffestorage.com](mailto:info@giraffestorage.com)  
Website : [www.giraffestorage.com](http://www.giraffestorage.com)

### Our Associates:

<b>Ahmedabad</b>	<b>09377584838</b>
<b>Bangalore</b>	<b>09845410330</b>
<b>Chennai</b>	<b>044-42026648/59</b>
<b>Delhi</b>	<b>011-24106545/46</b>
<b>Hyderabad</b>	<b>09848254414</b>
<b>Indore</b>	<b>0731-2560493</b>
<b>Mumbai</b>	<b>09820035706</b>
<b>Nasik</b>	<b>09890215714</b>
<b>Pune</b>	<b>09822845425</b>

**REDUCES OPERATOR'S EFFORTS & INCREASES PRODUCTIVITY & EFFICIENCY**